

**ROLLCO**

**ALWAYS  
THE RIGHT SOLUTION  
AT THE RIGHT TIME**





# THIS IS ROLLCO

Rollco specialises in products for linear motion and automation solutions. We have a wide range of products and high technical expertise.

Our philosophy is that we through teamwork and fellowship create a good working environment. We have a unique customer focus, which can only come from dedicated and motivated people.

We aim to help you in the best way possible, whether it is about finding the right product, providing quick technical advice or fast deliveries. That is what drives us to find the ideal solutions and to constantly improve our products and expertise.

We have a large warehouse, which means that you can get components directly from us, sometimes as soon as the following day. Our rapid response time gives you a simple and smooth process.

We are present in Sweden, Denmark, Norway, Finland and Taiwan. Our head office with workshop and warehouse is located in Helsingborg, Sweden.

# YOUR PARTNER IN PERFECTION

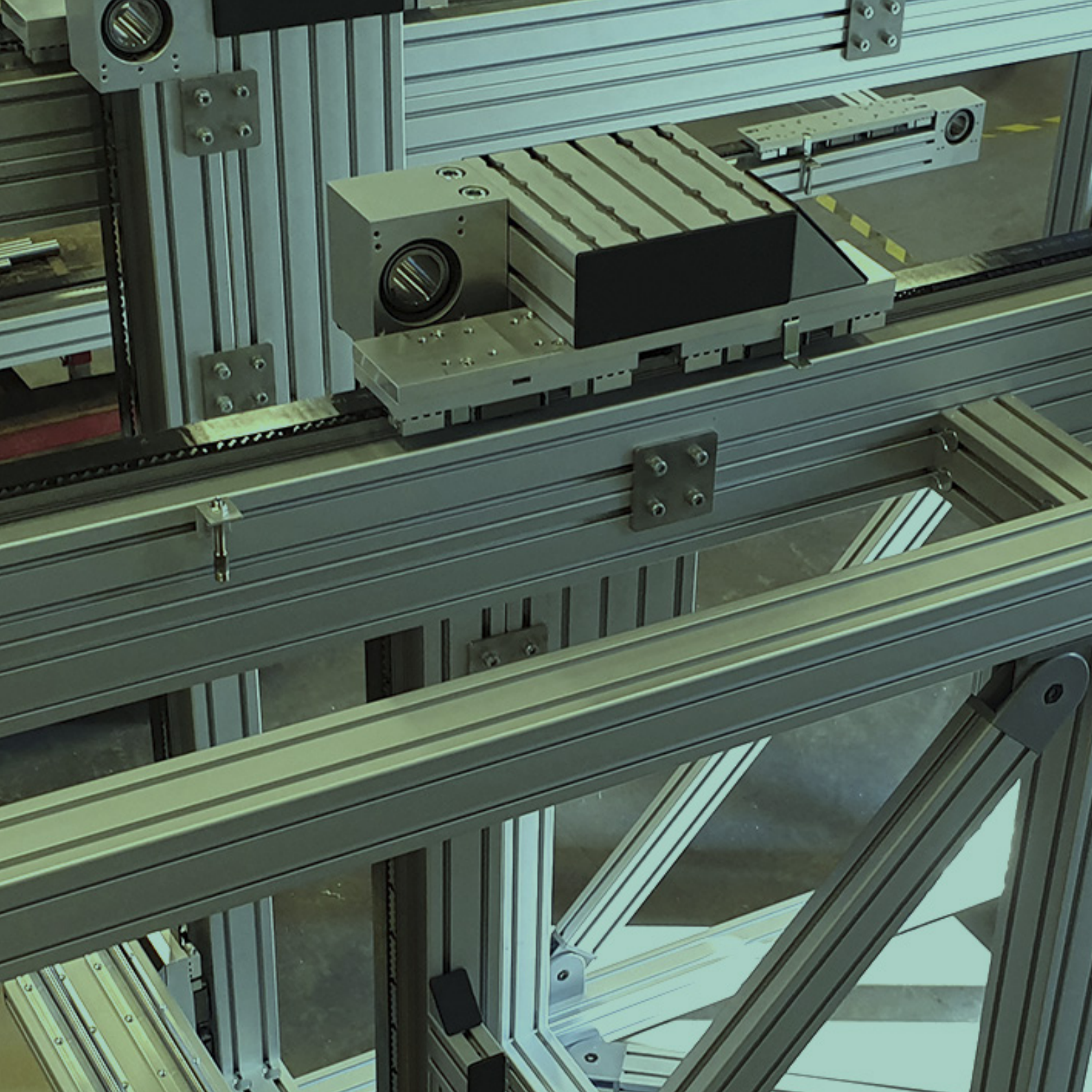
A large part of our business is to develop and design unique customer solutions for linear movement and automation. Our technical experts will team up with you to create the best possible solution based on your specific requirements.

In our workshop in Helsingborg we then assemble the designs. One of the most frequent solutions is aluminium stand with integrated linear units. We also design and build fully customized solutions with linear rail guides and ball screws.

Don't hesitate to contact us! We give you speedy access and fast answers to help you overcome your challenges.







# SUSTAINABILITY

Sustainability is an important part of Rollco's business and has a major focus in our operational and strategic work. It is not only a given for us to run a sustainable business, but also a requirement from our owner Addtech.

For many years now, we have been measuring and evaluating our sustainability work and reporting key figures. Our biggest climate impact is emissions from the transport of goods, and therefore we have an extra strong focus on, together with both customers and suppliers, streamlining freight and finding alternatives with lower carbon footprint.

Our sustainability work means not only that we must meet quality and environmental requirements, but also that we must have a sustainable mindset when it comes to working conditions, environment, and ethics. We think this creates added value for our customers, suppliers, employees, and the society in which we operate.



**100%**  
of sales contribute to  
sustainable development



**40%**  
women in leading positions

**50%**  
reduced CO<sub>2</sub> intensity



**80%**  
of the purchase volume  
assessed based on our  
Code of Conduct

## OUR GOALS

Just like all companies within Addtech, we have measurable and time-bound goals in three focus areas, which clearly shows our ambition and direction. The goals support the UN's global goals and 2030 Agenda for Sustainable Development.

By building strong alliances with various partners, we secure development towards our 2030 goals and at the same time contribute positively to the development of the global challenges in sustainability.

# OUR SOLUTIONS

We offer a wide range of components such as linear rail systems, ball bearings and shafts, ball screws, ready-to-use toothed belt and spindle units, telescopic rails and various accessories. The linear guides are available in many sizes and materials with possibility of adding coating.

Our range also includes belt conveyors and a complete assortment of aluminium profiles, which we process and assemble.

We have our own workshops where we can machine and assemble according to your requirements, all with very short lead times.

In addition to this we provide you expertise and technical advice. We have 2D and 3D CAD files of all our standard products and we are happy to assist with design proposals.



## LINEAR RAIL SYSTEMS WITH BALLS

Rollco linear rails can be used for the majority of linear motion applications. The linear rails can be supplied with different types of surface treatments and be customised with sealings suitable for various environments.

### Linear Rail HRC/ARC/ERC

Rail guides with ball chain for extremely silent and smooth operation. Designed with O-type arrangement for the ball circulation which is ideal for systems with a single rail.



### Linear Rail SBI

Linear rail system with high load capacity. The sliders with four rows of balls ensure high capacity from all load directions. Available in a corrosion resistant version (Raydent).



### Linear Miniature Guide

Miniature system suitable for applications with limited space. Available in sizes ranging from 2 mm to 15 mm. Typical application areas are within pharmaceutical and electronic industries.



### Linear Roller Guide

Linear rail system with rollers instead of balls in the four raceways. Recommended for applications with high load capacities and a required high rigidity and precision.



### Linear Rail Aluminium

Manufactured of aluminium with integrated raceways of stainless steel. The major benefits are the low weight and the corrosion resistant material.



### Linear Rail WRC

Wide linear rail guides, perfect for single rail installations. Ball chain version available for silent and smooth operation and increased lifetime.



## LINEAR RAIL SYSTEMS WITH ROLLERS

Our product range of linear rails include different profiles and types of sliders and are used in a wide range of industrial applications.



### Compact Rail

System of guide rails and roller sliders with radial bearings. The system allows system designs that compensate for both deviation in parallelism and height offset and therefore often reduce the overall cost by minimized machining and installation time. The rails are surface hardened steel and the sliders zinc-plated steel.



### C-Rail

Economic roller based linear guiding which also offers a smooth and quiet operation. Available in zinc plated or stainless steel. The stainless version makes it versatile in demanding environments with water and humidity. The non-hardened rail makes C-Rail less suitable for heavy duty operation if compared to Compact Rail.



### U-Rail

A robust system which compensates for alignment errors and can be welded on existing constructions. The rails are available in steel or stainless steel. Rollers in steel, chrome-plated steel, stainless and for high speed, lined with hard PU or PA.

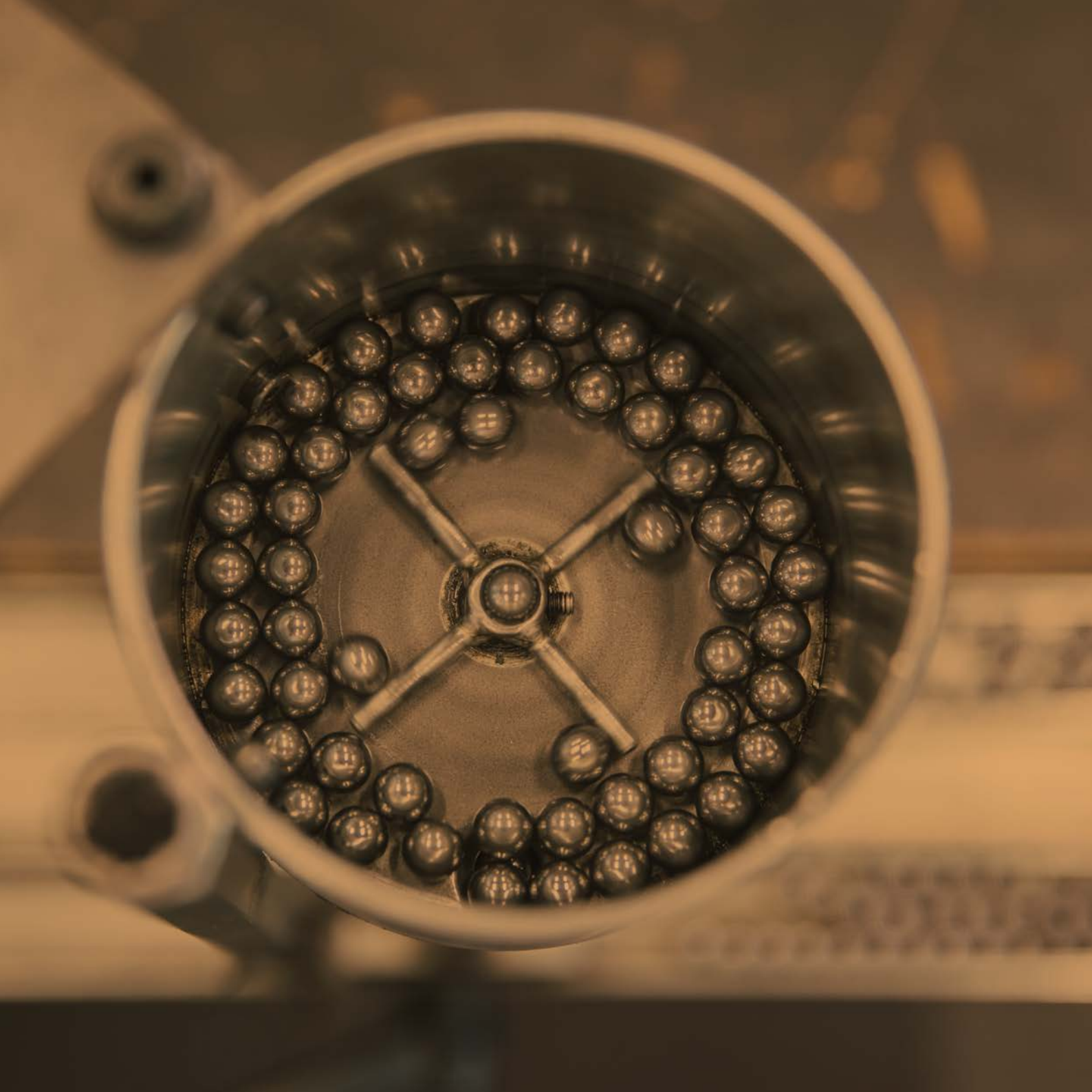


### Curvi Line

A system for curved rails with constant or variable radius. The system is customised for each specific application. Available in zinc plated or in stainless steel.



**ROLLON**



## TELESCOPIC RAILS

We offer many different types of telescopic rails: With extension in one or both directions, with 50% or full extension. We also have standard and special solutions for extensions over 100%.

### Telescopic Rail Heavy

Designed for industrial applications. They are ideal for applications subject to frequent motion and high loads which also require minimum deflection and high precision. The rails are made of cold drawn carbon steel for high durability. The raceways are hardened to achieve a smooth and easy operation, even at vibrations and impacts. For applications in special environments, we offer zinc-plated or nickel-plated rails.



### Telescopic Rail Light

Intended for small and medium-sized loads. The rails are available in various materials; rolled steel, cold drawn steel, stainless steel or aluminium.

### Easyslide

A compact and strong solution for applications with limited space. The hardened internal raceways allow high loads and vibrations. It is possible to obtain different stroke variations with the same installation dimensions. Easyslide can be supplied with single, double or synchronised sliders.





## BALL SCREWS, BALL BEARINGS & STEEL SHAFTS

We have a wide range of ball screws, bearings and shafts to meet all requirements. We customise all ball screws and shafts in our own workshop in Helsingborg according to your requests.

### Ball Screws

The range includes, in addition to various sizes, pitches and precisions, many different variations such as ball screws with flange, thread or pre-tensioned double nut. Many accessories available, such as support units, housings and nuts with flanges.



### Linear Ball Bearings & Steel Shafts

Our linear ball bearings are available in closed, open, compact or self-aligning versions with corresponding shafts in many sizes.

The shafts are manufactured of steel, stainless or chromium plated versions and can be delivered with radial holes. Accessories include housings, shaft blocks, shaft supports etc.





735.06

17  
06

ORIGIN  
ZERO/ABS  
HOLD

## LINEAR UNITS

Complete, linear units with belt or spindle drive. The units are ready for installation, which saves both construction and assembly time. All linear units can be combined to various multi-axis linear systems.

Linear Units RHL and QME are manufactured and assembled in our workshop, which ensures very short delivery times. We have various accessories in stock and can manufacture motor flanges and make other adjustments according to your needs.

### Linear Unit RHL

Belt driven unit with linear rail and toothed belt, compatible with structural systems. The stroke length is selectable per millimetre from 0 up to 10 m.



### Linear Unit CT & MT

Linear Units CT & MT provide high precision and come with either ball screw or belt drive. Compact dimensions provide high load capacities, high speed, accuracy and repeatability.



### Linear Unit QME

Unit consisting of a linear table with linear ball bearings on hardened shafts, driven by ball- or lead-screw. Bellows, hand wheels, mechanical position counters and many other options are available.



**NEW!**

### **Mini Linear Unit MGBS & MGTB**

Modular and cost-effective rod-less electromechanical linear drive units. High capacity and high precision linear guide system with either a precision ball screw (MGBS) or a timing belt transmission (MGTB) to convert a rotary input to linear motion and force.



## PLANETARY GEARBOXES

Planetary gearboxes are used in mechanical and mechatronic drive systems with high requirements for torque density and precision. With a wide range of ratios, many different output and input options it offers high flexibility.

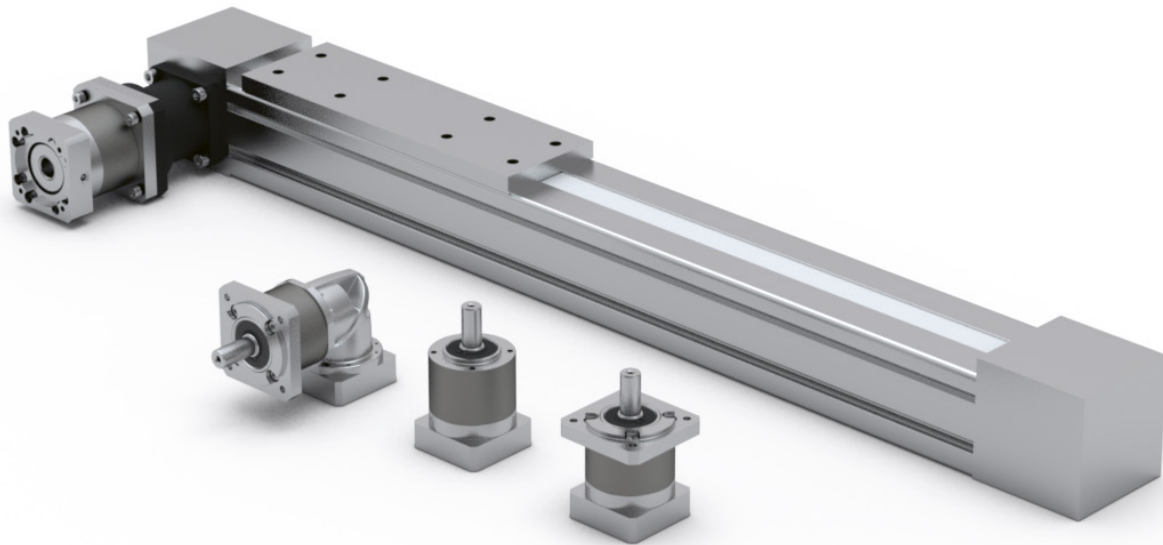
Our adapter-kit connects your linear unit RHL with a planetary gearbox, and gives an easy to mount, complete solution. By using our CAD-configurator it is possible to easily design a combined solution of both linear unit and planetary gearbox and download a CAD-file.

### Planetary Gears CP/CPS & CPK/CPSK

Planetary and right-angle gearboxes, which offers high flexibility combined with maximum efficiency.

Modular interfaces to both motor and application.

Ratios between 3:1 and 100:1 are solved with 1- or 2-speed gearbox designs.



## ELECTRIC CYLINDERS

Electric cylinders are quick and simple to design into applications and engineered to work and fit to industrial servo motors. Electromechanical cylinders combine the precision, rigidity, and controllability of servo mechanics with the speed and durability of pneumatic cylinders.

By using an integrated precision ball screw drive, the rotary motion of the drive shaft is converted to the linear motion of the piston rod or the slide, with high mechanical efficiency and low internal friction.

### PNCE Electromechanical Cylinders

PNCE combine a ball screw drive with a suitable bearing and guiding system. They are well suited for high dynamic servo-drive and 7/24 automation tasks. The robust aluminium housing with standardized interfaces makes use of the wide range of mechanical fittings for ISO 15552 pneumatic cylinders.

The design with smooth surfaces enables quick and effective cleaning. Special versions with protection class IP65, food grade materials or high corrosion resistance for harsh environments are available.



### MCE & MSCE Mini Linear Drives

This range of linear actuators and sliders can easily be combined to a multi-axis system. They allow relatively high load capacities and optimal cycles for moving large payloads at high speeds in both horizontal and vertical directions.

The MCE is a mini linear electric cylinder with a piston rod and the MSCE a mini linear drive with an integrated linear guiding system and slide.



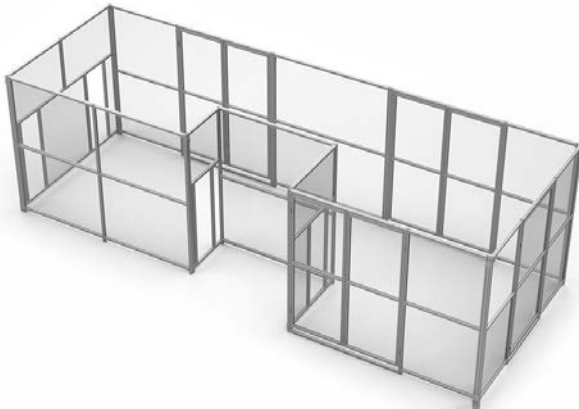


## ALUMINIUM PROFILE SYSTEM

We have a complete range of aluminium profiles in all dimensions. Various fasteners and accessories, such as hinges, handles, foot plates and castors, facilitate simple adjustment or modification of constructions. The system makes it easy to build everything from simple racks, machine frames, cabinets, workstations and laboratory tables, to fixtures for advanced automation.

The profiles can be delivered in 3 ways:

- Profiles and components as they are without processing and assembly.
- Processed and assembled according to customer design and drawings.
- In processed construction kits according to customer drawings. On-site assembly.



## CONVEYOR SOLUTIONS

Our conveyors are manufactured locally in Helsingborg and are customized according to your requirements. We offer standard belt conveyors as well as timing belt conveyors, both with fitted aluminium stands if required.



### Belt Conveyors

The belt conveyors are built on a frame of aluminium profiles. We have various belt types to fit specific applications. The motor can be placed at any position along the conveyor.

**COMING SOON!**

### Timing Belt Conveyors

Excellent for synchronization of multiple timing belts. Choose between accessories such as cleats, side guides, or a variation of different feet. When using cleats, the timing belt conveyor is well suited for inclined/declined transportation of products.

If required the conveyors can be delivered as a complete solution with fitted aluminium profile stands.



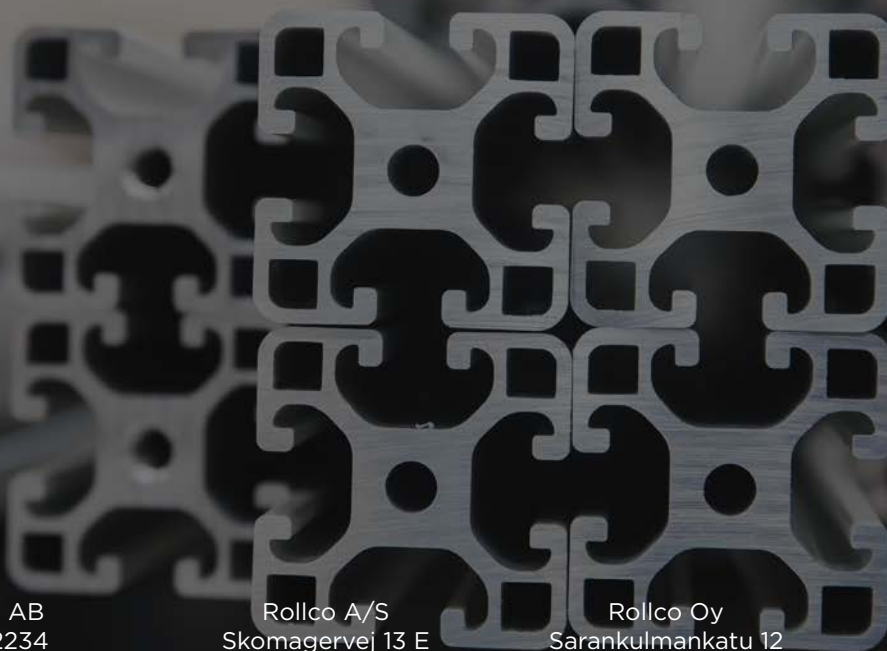


**ALWAYS THE RIGHT  
SOLUTION AT THE RIGHT TIME.**

**ROLLCO**

LINEAR SOLUTIONS **YOUR WAY**

With reliability, competence and commitment Rollco rapidly delivers the right solutions and components to create safe and cost-effective automation and linear movement.



Rollco AB  
Box 22234  
Ekvändan 3  
250 24 Helsingborg  
Sweden  
Tel. +46 42 150040  
[www.rollco.se](http://www.rollco.se)

Rollco A/S  
Skomagervej 13 E  
7100 Vejle  
Denmark  
Tel. +45 7552 2666  
[www.rollco.dk](http://www.rollco.dk)

Rollco Oy  
Sarankulmankatu 12  
33900 Tampere  
Finland  
Tel. +358 207 57 97 90  
[www.rollco.fi](http://www.rollco.fi)

Rollco Norge AS  
Industrigata 6  
3414 Lierstrada  
Norway  
Tel. +47 32 84 00 34  
[www.rollco.no](http://www.rollco.no)