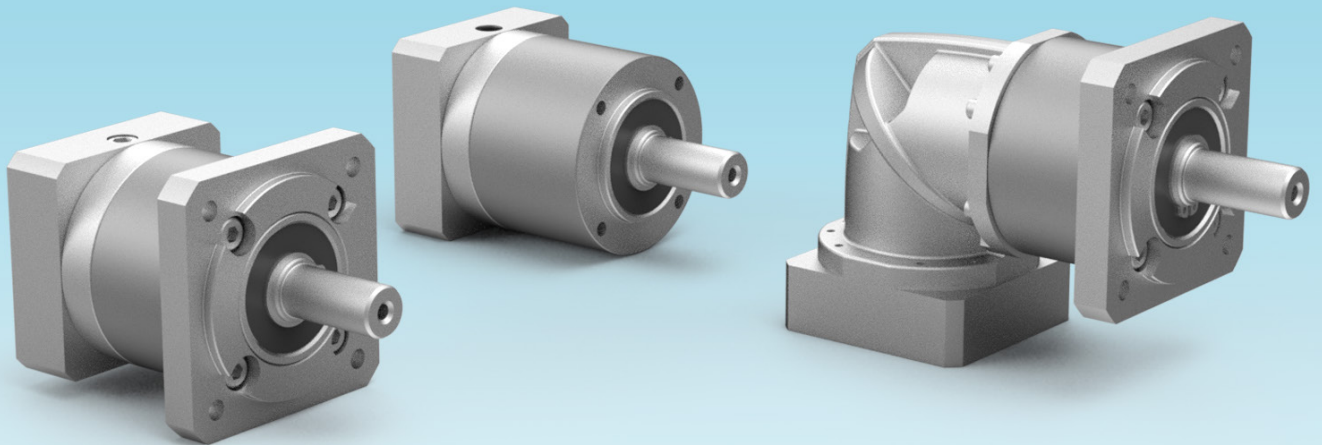


**ROLLCO**

# PLANETARY GEARBOXES



# PLANETARY GEARBOXES

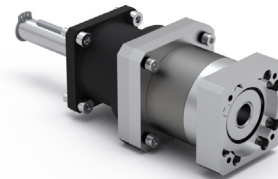
Maximum precision and dynamics, combined with exceptional torque density, are the key requirements specified for reliable planetary gearboxes in practice. We offer planetary gearboxes for a big variety of applications and a wide performance range. Our low-backlash planetary and right-angle gearboxes are excellent to combine with our Linear units RHL.

## LINEAR UNIT RHL + PLANETARY GEARBOXES

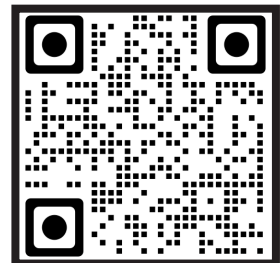
Complete your linear unit RHL with a low-backlash planetary or right-angle gearbox. By using our adapter-kit CPS, you can easily connect your linear unit with a planetary gearbox. The adapter-kit is available for Linear units RHL80 and RHL 110.

With our CAD-configurator you are able to configure a complete solution of linear unit, adapter-kit and planetary gearbox, of your choice.

Scan the QR-code to visit our website and learn more.



**SCAN TO  
READ MORE**



## ALPHA BASIC LINE

The CP and CPS planetary gearboxes are tailored for applications in the mid-range and economy segment with low to medium requirements for positioning accuracy. The key benefits offered by the gearboxes are high flexibility combined with maximum efficiency.

### KEY FEATURES

- High flexibility
- Maximum economy
- Variable application connection
- High power density

### CP



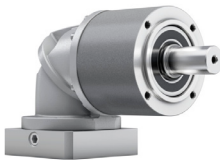
- Ratio 3-100
- Max. torsional backlash  $\leq 12$  arcmin
- Max. torque 17-800 Nm
- Available with food-grade lubrication

### CPS



- Ratio 3-100
- Max. torsional backlash  $\leq 12$  arcmin
- Max. torque 17-800 Nm
- Available with food-grade lubrication

### CPK



- Ratio 3-100
- Max. torsional backlash  $\leq 13$  arcmin
- Max. torque 17-700 Nm
- Available with food-grade lubrication

### CPSK



- Ratio 3-100
- Max. torsional backlash  $\leq 13$  arcmin
- Max. torque 17-700 Nm
- Available with food-grade lubrication

**ALWAYS THE RIGHT SOLUTION  
AT THE RIGHT TIME.**

With a unique customer focus we make it easy to create, maintain and develop automation and linear movement.

**ROLLCO**

LINEAR SOLUTIONS **YOUR** WAY

Rollco AB  
Box 22234  
Ekvändan 3  
250 24 Helsingborg  
Sweden  
Tel. +46 42 150040  
[www.rollco.se](http://www.rollco.se)

Rollco A/S  
Skomagervej 13 E  
7100 Vejle  
Denmark  
Tel. +45 7552 2666  
[www.rollco.dk](http://www.rollco.dk)

Rollco Oy  
Sarankulmankatu 12  
33900 Tampere  
Finland  
Tel. +358 207 57 97 90  
[www.rollco.fi](http://www.rollco.fi)

Rollco Norge AS  
Industrigata 6  
3414 Lierstrada  
Norway  
Tel. +47 32 84 00 34  
[www.rollco.no](http://www.rollco.no)

Rollco Taiwan  
No. 28, Lane 125, Da-an Road  
Shulin District 238  
New Taipei City, Taiwan  
Tel. +886-2-8687-2726  
Fax +886-2-8687-2720  
[www.rollco-tw.com](http://www.rollco-tw.com)