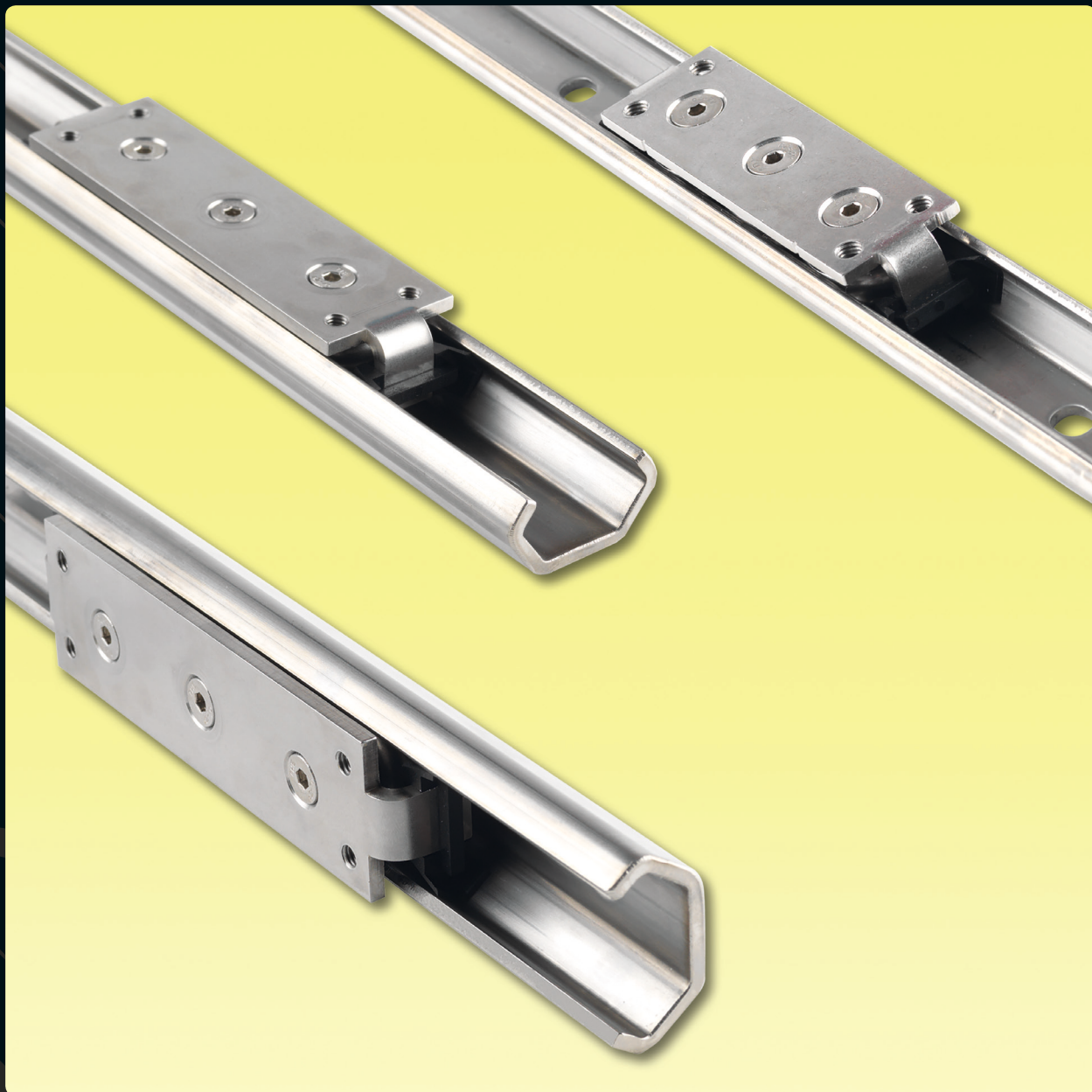


C-RAIL



ROLLCO

SPECIALIZED
ON LINEAR MOTION



Every care has been taken to ensure the accuracy of the information contained in this catalogue, but no liability can be accepted for any errors or omissions. We reserve the right to make changes without prior notice.

Any reproduction, even partial, is allowed only by written permission by Rollco.



**CLIMATE
COMPENSATED
PAPER**



Index

PRODUCT OVERVIEW	4
Technical Data	4
Application Areas	4
Stainless Steel Version	4
RAIL	5
Rail	5
Button Head Screws	5
SLIDERS	6
Slider Plate Version	6
Slider Solid Version	7
ROLLERS	8
Rollers for Plate Version	8
Rollers for Solid Version	9
ORDER CODES	10
Rail	10
Slider	10
Roller	10
Mounted Rail and Slider	10



Product Overview

Rollco C-Rail is a simple and cost-effective linear bearing for applications where corrosion resistance is important. It is a compact and quiet linear guide with low friction. C-Rail is available in zinc plated or stainless steel in three different sizes.

C-Rail has internal raceways to guarantee the best level of protection against impurities, debris and external abuse. The sliders have three radial ball bearings with double rubber seals and are lubricated for life. These rollers have eccentric pivots that allow adjusting the preload when mounted inside the rail.

Technical Data

- Max. temperature: 100°C (212°F)
- Speed: 1,5 m/s

Application Areas

- Food industry: production and packing of food/beverages
- Chemical and environment industry: water treatment devices
- Medical industry: analysis equipment
- Transport industry: sliding doors and boat constructions
- Power industry: boilers and house fireplaces
- Mechanical devices: car wash and automatic gates
- Machine tools: protective panel movement

Stainless Steel Version

The stainless steel version (SXTE) is ideal for applications where water, temperature fluctuations or high temperatures occur. C-Rail is available in stainless steel AISI304. For AISI316, please contact Rollco.

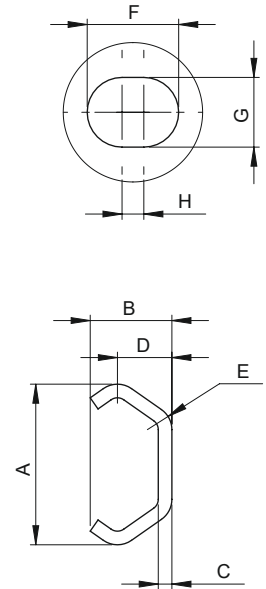
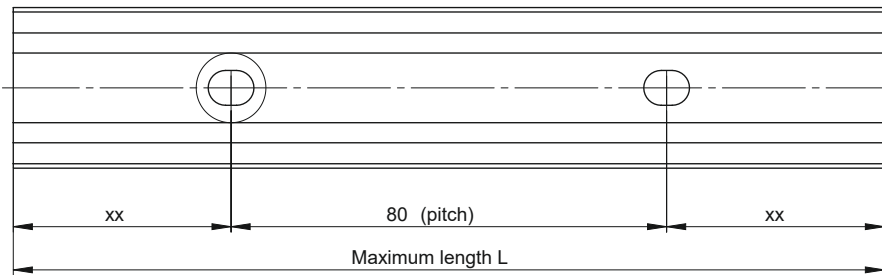
Important characteristics (stainless steel)

- Corrosion resistant even after scratching, etching and chipping
- Can be used in washdowns
- Resistant to high temperatures and temperature changes
- No coatings that could flake or chip
- Low coefficient of friction
- Ecological and recyclable materials

Rail

SBTE: Standard zinc plated steel

SXTE: Stainless steel



Special lengths are available upon request. Please contact Rollco for more information.

Article No.	A	B	C	D	E	F	G	H	L	Fixing screws	Weight g/m
	mm										
SXTE20*	19,2	10	2	7	3	7	5	2	4000	C20-M4x8	470
SXTE30*	29,5	15	2,5	10	4,5	8,4	6,4	2	4000	C30-M5x10	900
SBTE/SXTE45	45,7	24,5	4	15,5	6	11	9	2	6080	C45-M8x16	2290

*Only available in stainless steel.

Button Head Screws (ISO 7380)

Material: Bright zinc plated / stainless steel

Property class: 10,9

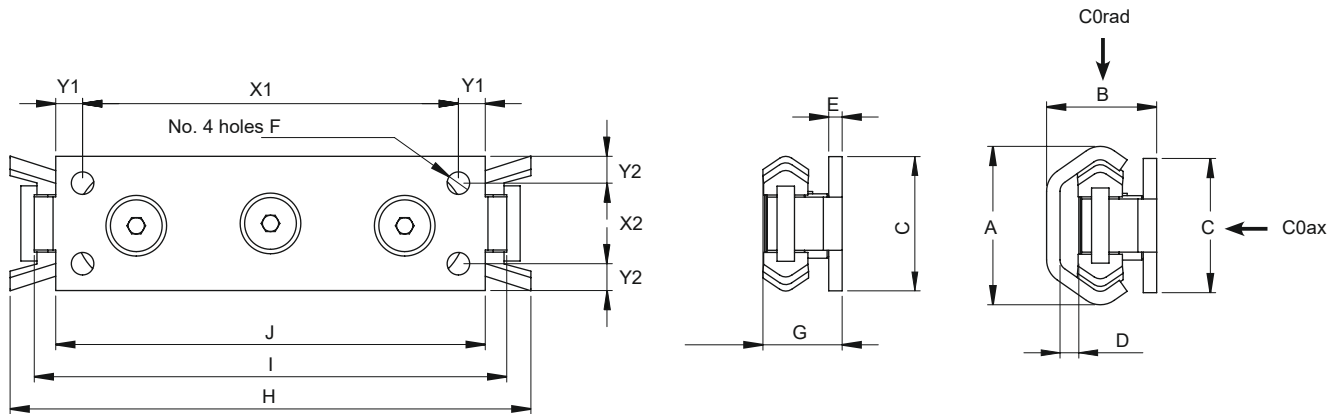
Article No.	Type	Material	Weight (g)
PS1135	M4x8	Zinc plated	1,0
PS1186	M4x8	Stainless steel	1,0
PS1190	M5x10	Zinc plated	2,0
PS1187	M5x10	Stainless steel	2,0
PS1325	M8x16	Zinc plated	7,2
PS1188	M8x16	Stainless steel	7,2



Slider Plate Version

LSWL: Stainless steel body with wipers and standard steel rollers

LXWL: Stainless steel body with wipers and stainless steel rollers



Article No.	A	B	C	D	E	F	G	H	I	J	Y1	X1	X2	Y2
	mm													
LSWL20-80-2Z	19,2	16,0	18	2,5	3,0	M5	11,5	91	80	71	5,5	60	-	9
LSWL30-88-2Z	29,5	20,5	25	3,5	2,5	M5	14,5	97	88	80	5,0	70	15	5
LSWL45-150-2Z	45,7	31,0	40	5,0	4,0	M6	22	160	150	135	7,5	120	23	8,5
LXWL20-80-2RS	19,2	16,0	18	2,5	3,0	M5	11,5	91	80	71	5,5	60	-	9
LXWL30-88-2RS	29,5	20,5	25	4,0	2,5	M5	14,5	97	88	80	5,0	70	15	5
LXWL45-150-2RS	45,7	31,0	40	5,0	4,0	M6	22	160	150	135	7,5	120	23	8,5

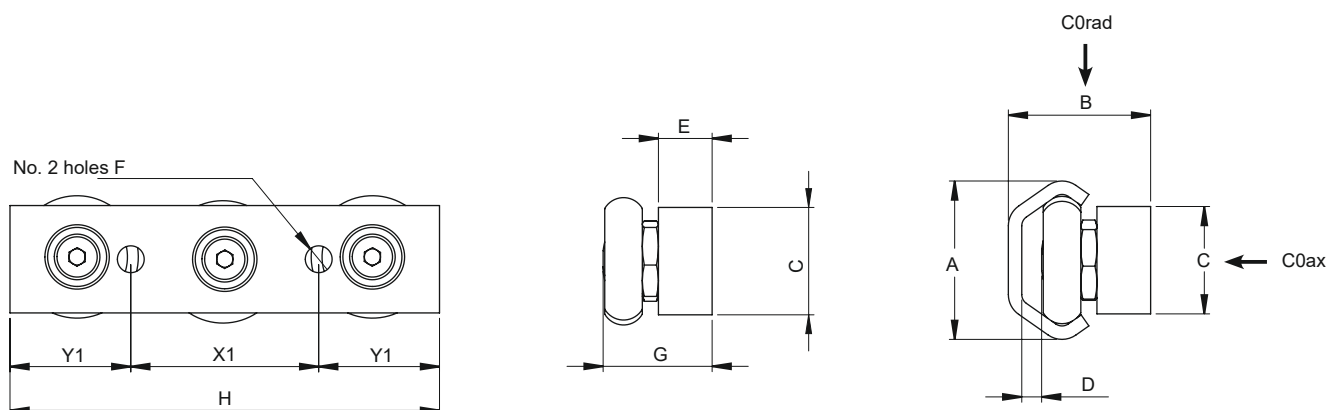
A, B and D = with rail

Article No.	Weight	Load capacity (N)	
	kg	C0rad	C0ax
LSWL20-80-2Z	0,05	300	170
LSWL30-88-2Z	0,11	800	400
LSWL45-150-2Z	0,40	1600	860
LXWL20-80-2RS	0,05	300	170
LXWL30-88-2RS	0,11	800	400
LXWL45-150-2RS	0,40	1600	860

Slider Solid Version

LSBE: Stainless steel body and standard steel rollers

LXBE: Stainless steel body and rollers



Article No.	A	B	C	D	E	F	G	H	X1	Y1
	mm									
LSBE20-60-2Z	19,2	17,8	10	2,65	6	M5	13,15	60	20	20
LSBE30-80-2Z	29,5	26,5	20	3,7	10	M6	20,3	80	35	22,5
LSBE45-120-2Z	45,7	41	30	5,1	15	M8	31,9	120	55	32,5
LXBE20-60-2RS	19,2	17,8	10	2,65	6	M5	13,15	60	20	20
LXBE30-80-2RS	29,5	26,5	20	3,7	10	M6	20,3	80	35	22,5
LXBE45-120-2RS	45,7	41	30	5,1	15	M8	31,9	120	55	32,5

A, B and D = with rail

Article No.	Weight	Load capacity (N)	
	kg	C0rad	C0ax
LSBE20-60-2Z	0,04	300	170
LSBE30-80-2Z	0,17	800	400
LSBE45-120-2Z	0,60	1600	860
LXBE20-60-2RS	0,04	300	170
LXBE30-80-2RS	0,17	800	400
LXBE45-120-2RS	0,60	1600	860

Rollers for Plate Version

CONCENTRIC ROLLER

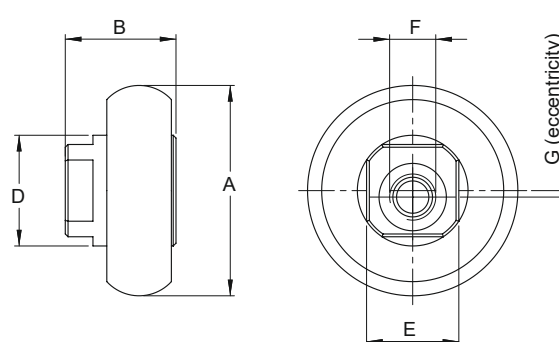
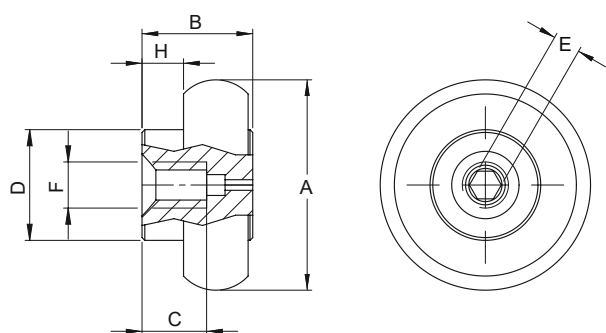
RSBLN: Standard bearing steel

RXBLN: Stainless bearing steel

ECCENTRIC ROLLER

RSBLA: Standard bearing steel

RXBLA: Stainless bearing steel



Article No.	A	B	C	D	E	F	G	H	Weight kg
	mm								
RSBLN20-2Z RXBLN20-2RS	14	8,2	6	8	2	M4	-	4	0,006
RSBLA20-2Z RXBLA20-2RS	14	8,2	6	8	6	M4	0,5	4	0,006
RSBLN30-2Z RXBLN30-2RS	22,8	12	7	12	3	M5	-	4,5	0,020
RSBLA30-2Z RXBLA30-2RS	22,8	12	7	12	10	M5	0,7	4,5	0,020
RSBLN45-2Z RXBLN45-2RS	35,6	17,3	12	16	3	M6	-	6	0,068
RSBLA45-2Z RXBLA45-2RS	35,6	17,3	12	16	13	M6	0,8	6	0,068

A, B and D = with rail

In this catalogue you will find the standard slider with 3 rollers. The rollers can also be mounted directly into your application or we can make special sliders according to your need. Please contact Rolco for more information.

Rollers for Solid Version

CONCENTRIC ROLLER

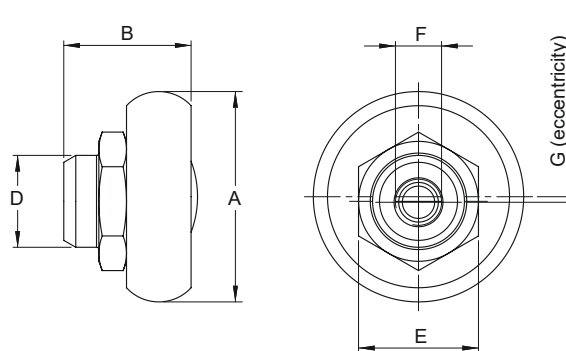
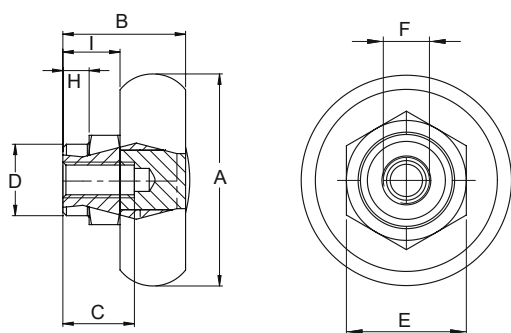
RSBN: Standard bearing steel

RXBN: Stainless bearing steel

ECCENTRIC ROLLER

RSBA: Standard bearing steel

RXBA: Stainless bearing steel



Article No.	A	B	C	D	E	F	G	H	I	Weight kg
	mm									
RSBN20-2Z RXBN20-2RS	14	8,7	6	6	8	M4	-	1,8	4,7	0,006
RSBA20-2Z RXBA20-2RS	14	8,7	6	6	8	M4	0,5	1,8	4,7	0,006
RSBN30-2Z RXBN30-2RS	22,8	13,8	7	10	13	M5	-	3,8	6,8	0,022
RSBA30-2Z RXBA30-2RS	22,8	13,8	7	10	13	M5	0,6	3,8	6,8	0,022
RSBN45-2Z RXBN45-2RS	35,6	20,6	12	12	15	M6	-	4,5	9,6	0,070
RSBA45-2Z RXBA45-2RS	35,6	20,6	12	12	15	M6	0,8	4,5	9,6	0,070

A, B and D = with rail

In this catalogue you will find the standard slider with 3 rollers. The rollers can also be mounted directly into your application or we can make special sliders according to your need. Please contact Rollco for more information.

Rail

SXTE45 - 1040 - 20 - 20

Rail type (SXTE, SBTE)

Size (20, 30, 45)

Length of rail

Distance from end of rail to center of first hole

Distance from center of last hole to rail end

Slider

LXWL30 - 80 - 2RS

Slider type (LSWL, LXWL, LXBE, LSBE)

Size (20, 30, 45)

Slider length (Plate version: 80, 88, 150. Solid version: 60, 80, 120)

Roller protection shield type (2Z, 2RS)

Roller

RXBLA45 - 2RS

Roller type (RSBLN, RXBLN, RSBLA, RXBLA, RSBN, RXBN, RSBA, RXBA)

Size (20, 30, 45)

Roller protection shield type (2Z, 2RS)

Mounted Rail and Slider

SXTE45 - 2 - LXWL30-80-2RS - 1040 - 20 - 20

Rail type

No. of sliders on each rail

Slider type

Slider dimension

Slider body length

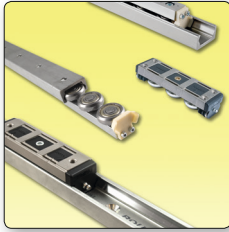
Roller protection shield type

Length of rail

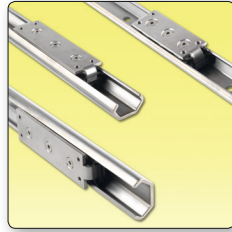
Distance from end of rail to center of first hole

Distance from center of last hole to rail end

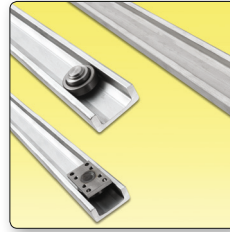
Rollco Products



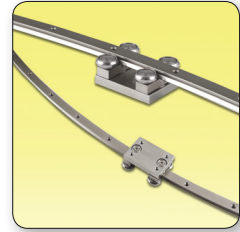
COMPACT RAIL



C-RAIL



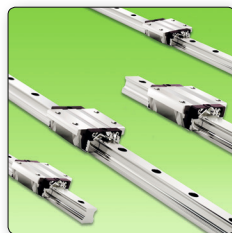
U-RAIL



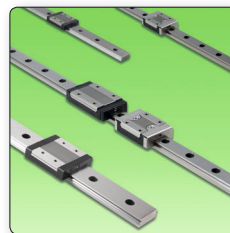
CURVI LINE



LINEAR RAIL SBI



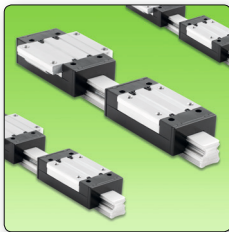
**LINEAR RAIL
BALL CHAIN**



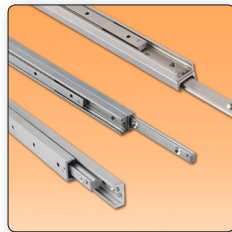
**LINEAR MINIATURE
GUIDE**



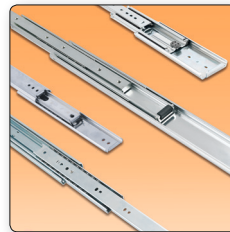
**LINEAR ROLLER
GUIDE**



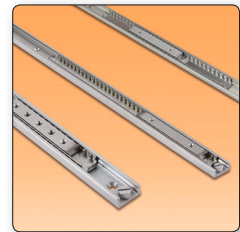
**LINEAR RAIL
ALUMINIUM**



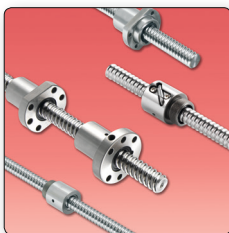
**TELESCOPIC RAIL
HEAVY**



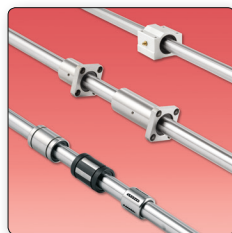
**TELESCOPIC RAIL
LIGHT**



EASYSLIDE



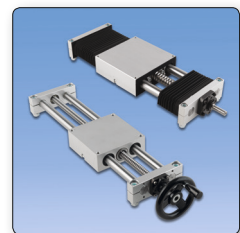
BALL SCREWS



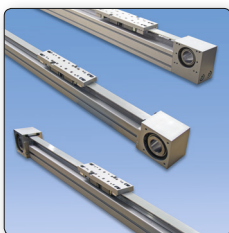
**BALL BEARINGS
& STEEL SHAFTS**



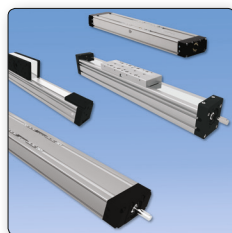
LINEAR UNIT RHL



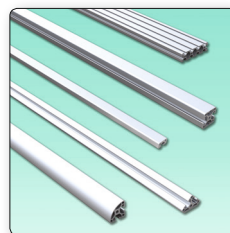
LINEAR UNIT QME



LINEAR UNIT E-SMART



LINEAR UNITS CT & MT



ALUMINIUM PROFILES



BELT CONVEYORS

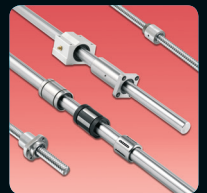
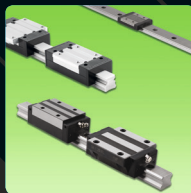
Rollco AB
Box 22234
Ekvändan 3
250 24 Helsingborg
Sweden
Tel. +46 42 150040
Fax +46 42 150045
www.rollco.se

Rollco A/S
Ladegårdsvej 2
7100 Vejle
Denmark
Tel. +45 7552 2666
Fax +45 7552 0708
www.rollco.dk

Rollco Oy
Sarankulmankatu 12
33900 Tampere
Finland
Tel. +358 207 57 97 90
Fax +358 207 57 97 99
www.rollco.fi

Rollco Norge AS
Industrigata 6
3414 Lierstrada
Norway
Tel. +47 32 84 00 34
Fax +47 32 84 00 91
www.rollco.no

Rollco Taiwan
No. 28, Lane 125, Da-an Road
Shulin District 238
New Taipei City, Taiwan
Tel. +886-2-8687-2726
Fax +886-2-8687-2720
www.rollco-tw.com



ROLLCO
SPECIALIZED
ON LINEAR MOTION